



PROTECTA III

Ex e LED Linear

The **Protecta III** LED linear delivers to the Industry unparalleled performance and photometry bringing forward all the recognised benefits of the Protecta range; a proven robust enclosure, excellent IP and low maintenance features which are key to the oil and gas industry.

Expected useful life to 70% of the initial lumens (L70) is an impressive 150,000 hours at 25°C. With fully replaceable LED strips and driver we deliver a unique product with effective long term maintenance capability.



Mounting Options

Ceiling. Wall. Suspended. Pole.

Standard Specification

Protecta III Ex e LED Linear

Type of Protection	Ex e mb q (Increased Safety, Encapsulation, Powder filling) Ex tb (Dust Protected Enclosure)
ATEX Classification	Group II Category 2 GD
Area Classification	Zone 1 and 21 areas to EN 60079-10-1 and EN 60079-10-2 with installation to EN 60079-14
Certificate	EU Type Examination Certificate Baseefa04ATEX0220 IECEX Certificate of Conformity IECEX BAS09.0017
Coding	Ex e mb op is q IIC T4 Gb Ex mb op is tb IIIC T95°C Db IP6X
Enclosure	GRP body with polycarbonate cover
Geartray	Galvanised Steel
Entry	4 x M20 cable entries - 2 at each end
Termination	3 core 4mm ² max conductor with looping and 16A rating through wiring [4 core on Emergency]
Installation	2 x M8 tapped Stainless steel moulded inserts located on the rear of the body
Control Gear	Electronic Driver
Colour Temperature (CCT)	6000K (Cool Daylight)
Colour Rendering Index (Ra)	>80
Maintenance	Quick release diffuser clamp and hinged cover
LED Lifetime @ 25°C Ambient	L70 > 150,000hrs
System Life	120,000hrs @ 25°C [excluding battery]
Battery	Internal Ni-Cd (6V) [Emergency version only]
Emergency Duration	90 mins (30% output)
Impact Protection	IK10
Ingress Protection	IP66/67 to EN 60529
Surge Protection	4kV
Electrical Supply	220-254V AC, 50/60Hz

Features

- ◆ Highly **Energy Efficient**
- ◆ Full length **easy access** diffuser clamp
- ◆ **DTS-01** deluge tested
- ◆ **Screwless** mains terminals
- ◆ **120,000 maintenance free hours** at 25°C
- ◆ **Retrofit** geartray available

Std. Cat No.	Delivered Output	Power Consumption	Tclass	T°C (Dust)	Ambient °C	Weight
PRGE/02L/LE	2178 lm	32W	T4	95	-40 to +55	7.9kg
PRGE/05L/LE	4607 lm	61W	T4	95	-40 to +55	11.5kg
PRGE/02L/LE/EM	2178 lm	34W	T4	95	-25 to +55	8.9kg
PRGE/05L/LE/EM	4607 lm	64W	T4	95	-25 to +55	13.0kg

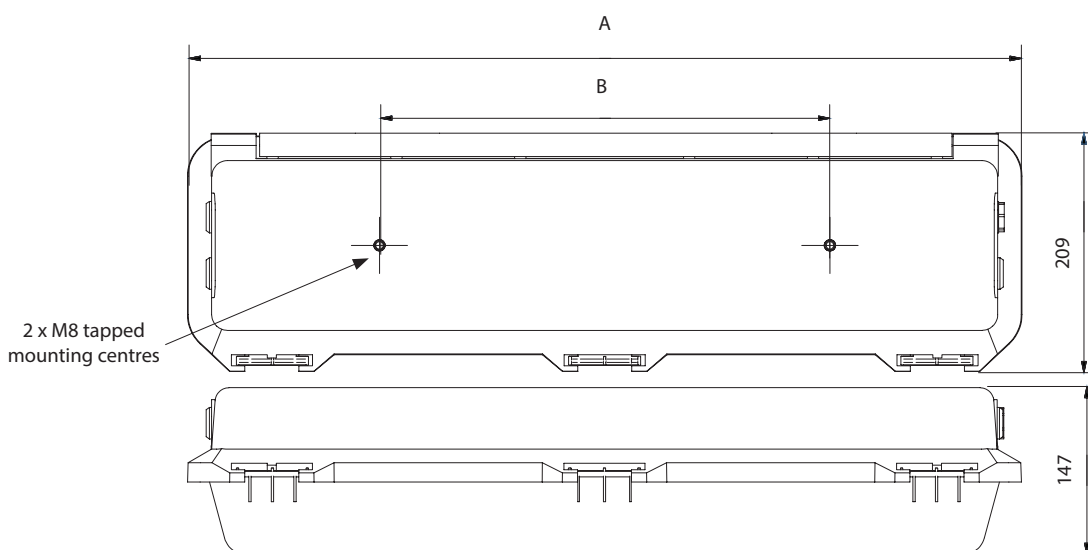
Note: Installed Protecta III fluorescents can be upgraded to LED by ordering Protecta Retrofit Geartray (see PRRE data sheet)

Options - Suffix to Catalogue No.			
/M25	M25 cable entries	/3H	3 hour battery duration (15% output)
/LBE	Looping both sides	/4K	4000K (Neutral White) LED Strips
/EL	Extra live termination facility (to match emergency circuit)	/SC	Screwed connection terminal block (up to 6mm ² conductors)
/OD	Opal diffuser cartridge (reduces maximum ambient to +45°C)	/LT	Low temperature version (Emergency ambient becomes -40°C to +55°C)**
/GIS	Geartray isolation switch (Gas coding becomes - Ex d e mb q)	/LTT	Low temperature version with battery temperature regulator (Emergency ambient becomes -40°C to +45°C)
/120	Specific voltage (110-130V AC)	/BP	Nickel plated brass plugs (x3)
/SE	Spigot entry (standard model only)		

** /LT is also optional on standard model to minimise ice build-up.

Accessories order separately

	Order Code
Pole mounting bracket assembly (38/42 diameter poles)	SPOL4-100001
Pole mounting bracket assembly (48/52 diameter poles)	SPOL4-100002
Pole mounting bracket assembly (58/62 diameter poles)	SPOL4-100003
Hook type ceiling bracket assembly	SPRO4-0005
Flush mounted wall bracket assembly	SPRO4-0006
Ceiling bracket assembly	SPRO4-0002
Standard 2ft wall mounting outreach bracket (use with SPOL4-100001)	NPRO4-0008
Standard 4ft wall mounting outreach bracket (use with SPOL4-100001)	NPRO4-0012
Eyebolt mounting assembly	SPRO5-0005



DIM	02L	05L
DIM A	742	1352
DIM B	400	700